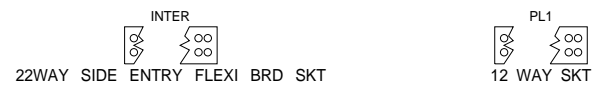
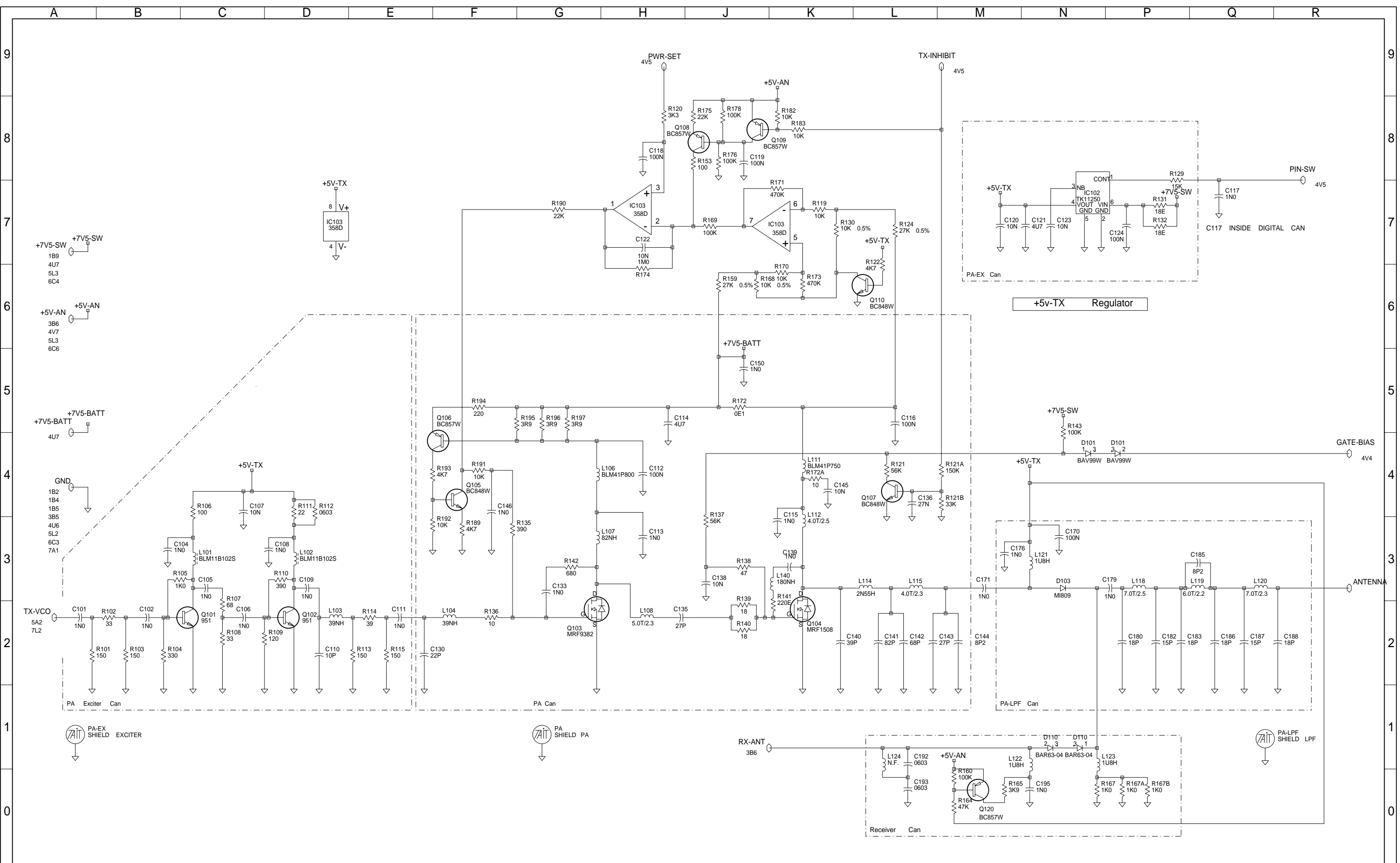


02E	BATT & MIC SEALS SIGNAL TO .NC. CCN No.1588-004	TS			21-09-99
02D	4 SPRING PINS NOW 356-01077-00 CCN 1588-003	TS			16-09-99
02B	PARTS ADDED TO SAVE POWER	BRD			11/06/99
02B	GEN-NEW PASTE SCREEN FOR DEK	BRD			02/06/99
02A	MINOR MOD TO CCT AND VALUES	SPICJK			25/05/99
01A	NEW PA LINEUP	BCS/CJK			12/02/99
REV/ISS	AMENDMENTS	DRAWN	CHKD	D.O.	APVD DATE



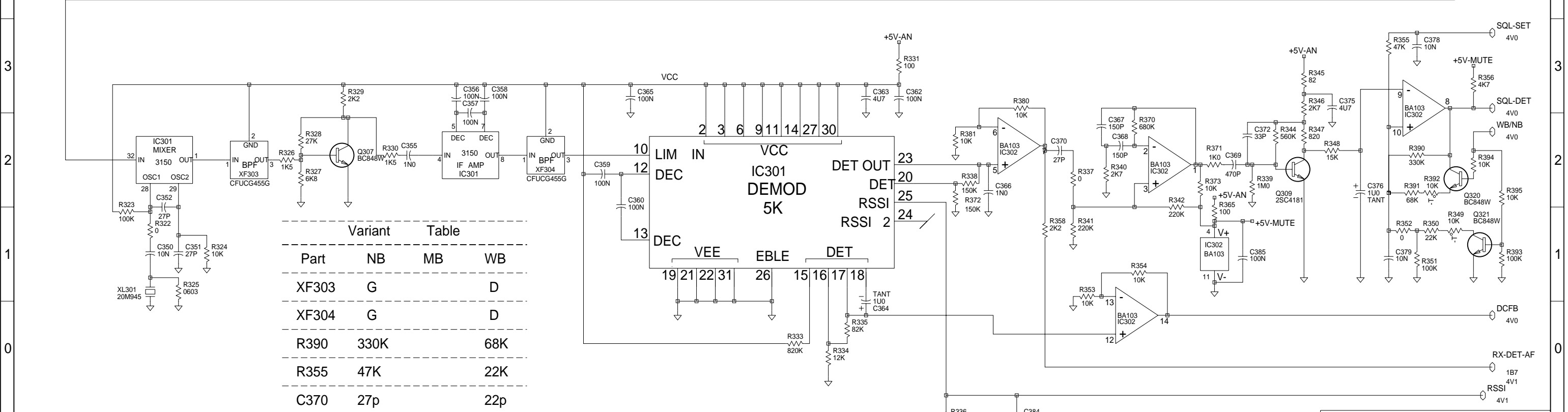
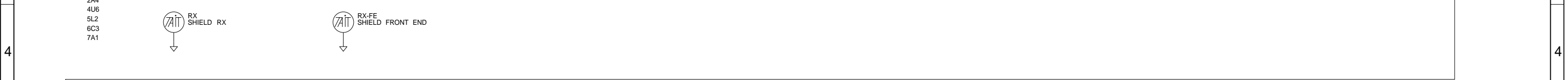
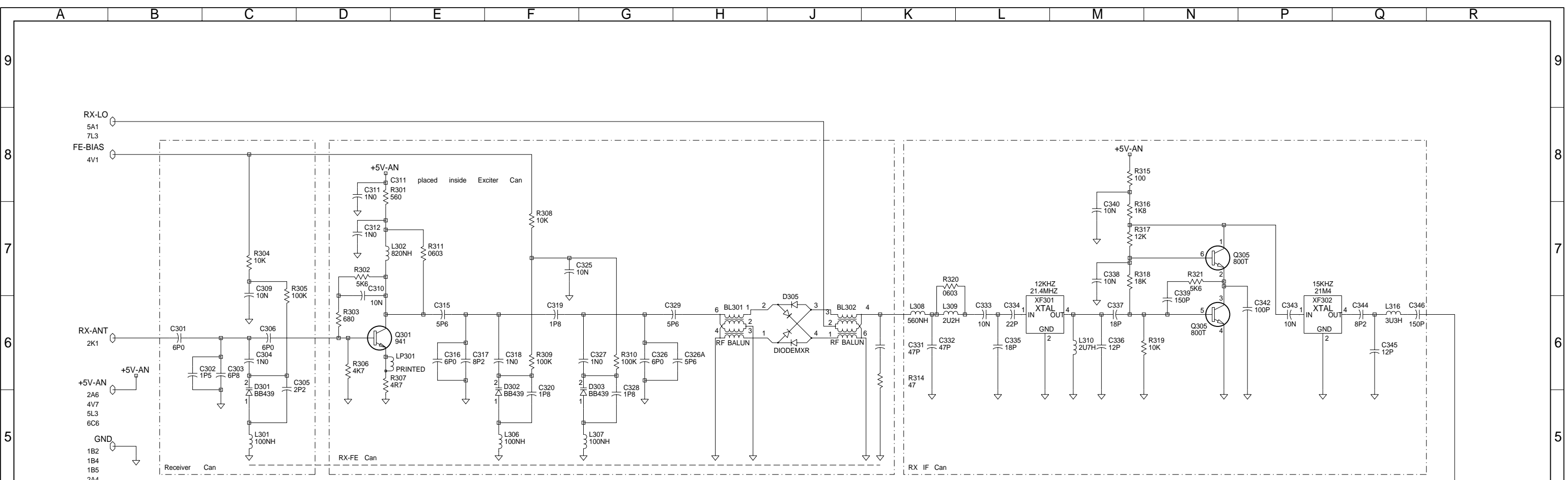
**VHF**  
Tait Orca

© TAIT ELECTRONICS	
ORCA	:TP010-3122 136-174MHZ SYSTEM DIAGRAM
IPN: 220-01588-02	ISSUE: E 2.S.C. 1
PROJECT: TAIT ORCA	DESIGNER: BRD/TS
FILE NAME: 158802d	DATE: 21-Sep-99
NO.SHEETS: 7	



01A	NEW PA LINEUP (BC-S)	CJK			12/02/99
REV/ISS	AMENDMENTS	DRAWN	CHKD	D.O.	APVD DATE

© TAIT ELECTRONICS  
 ORCA :TP010-3122 136-174MHZ  
 POWER AMPLIFIER  
 IPN: 220-01588-02 ISSUE: E ID: 2.S.C. 2  
 PROJECT: TAIT ORCA DESIGNER: BRD/TS FILE NAME: 158802d FILE DATE: 21-Sep-99 NO.SHEETS: 7

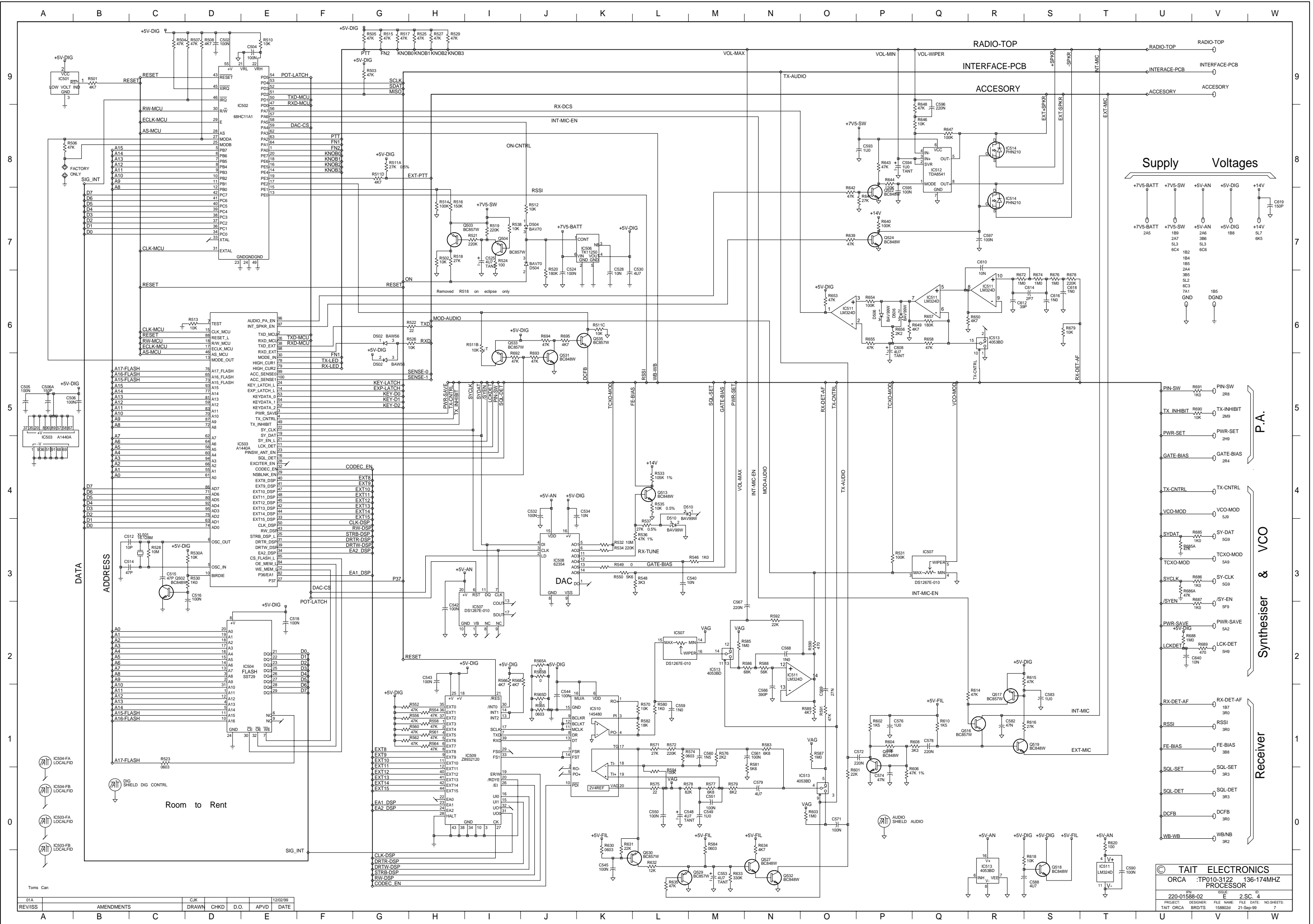


Variant Table

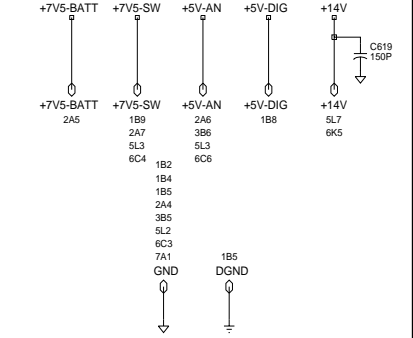
Part	NB	MB	WB
XF303	G		D
XF304	G		D
R390	330K		68K
R355	47K		22K
C370	27p		22p
C369	470p		330p

01A		CJK				12/02/99
REV/ISS	AMENDMENTS	DRAWN	CHKD	D.O.	APVD	DATE

© TAIT ELECTRONICS  
 ORCA :TP010-3122 136-174MHZ RECEIVER  
 IPN: 220-01588-02 ISSUE: E ID: 2.S.C. 3  
 PROJECT: TAIT ORCA DESIGNER: BRD/TS FILE NAME: 158802d DATE: 21-Sep-99 NO.SHEETS: 7



**Supply Voltages**



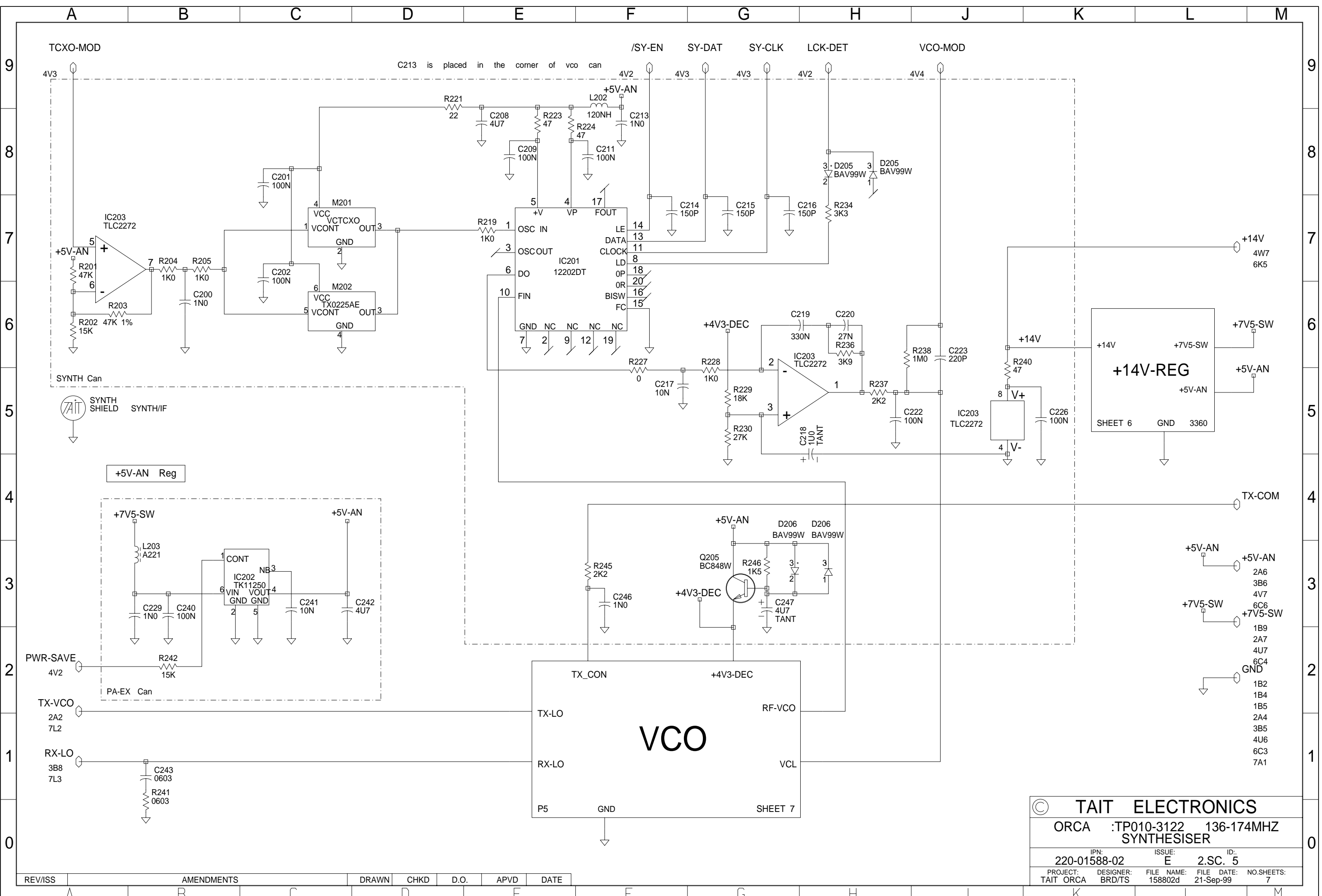
- P.A.**
- PIN-SW 288
  - TX-INHIBIT 289
  - PWR-SET 289
  - GATE-BIAS 284

- Synthesiser & VCO**
- TX-CNTRL 510
  - VCO-MOD 510
  - TCXO-MOD 549
  - SYCLK 509
  - SYEN 509
  - PWR-SAVE 5A2
  - LCK-DET 5H9

- Receiver**
- RX-DET-AF 380
  - RSSI 380
  - FE-BIAS 388
  - SOL-SET 383
  - SOL-DET 383
  - DCFB 380
  - WB-WB 382

© TAIT ELECTRONICS  
 ORCA :TP010-3122 136-174MHZ  
 PROCESSOR  
 220-01588-02 E 2-SC 4  
 PRODUCT DESIGNER FILE NAME FILE DATE NO SHEETS  
 TAIT ORCA BRDTS 1588024 21-Sep-99 7

01A					12/02/99
REV/ISS	AMENDMENTS	DRAWN	CHKD	D.O.	APVD



C213 is placed in the corner of vco can

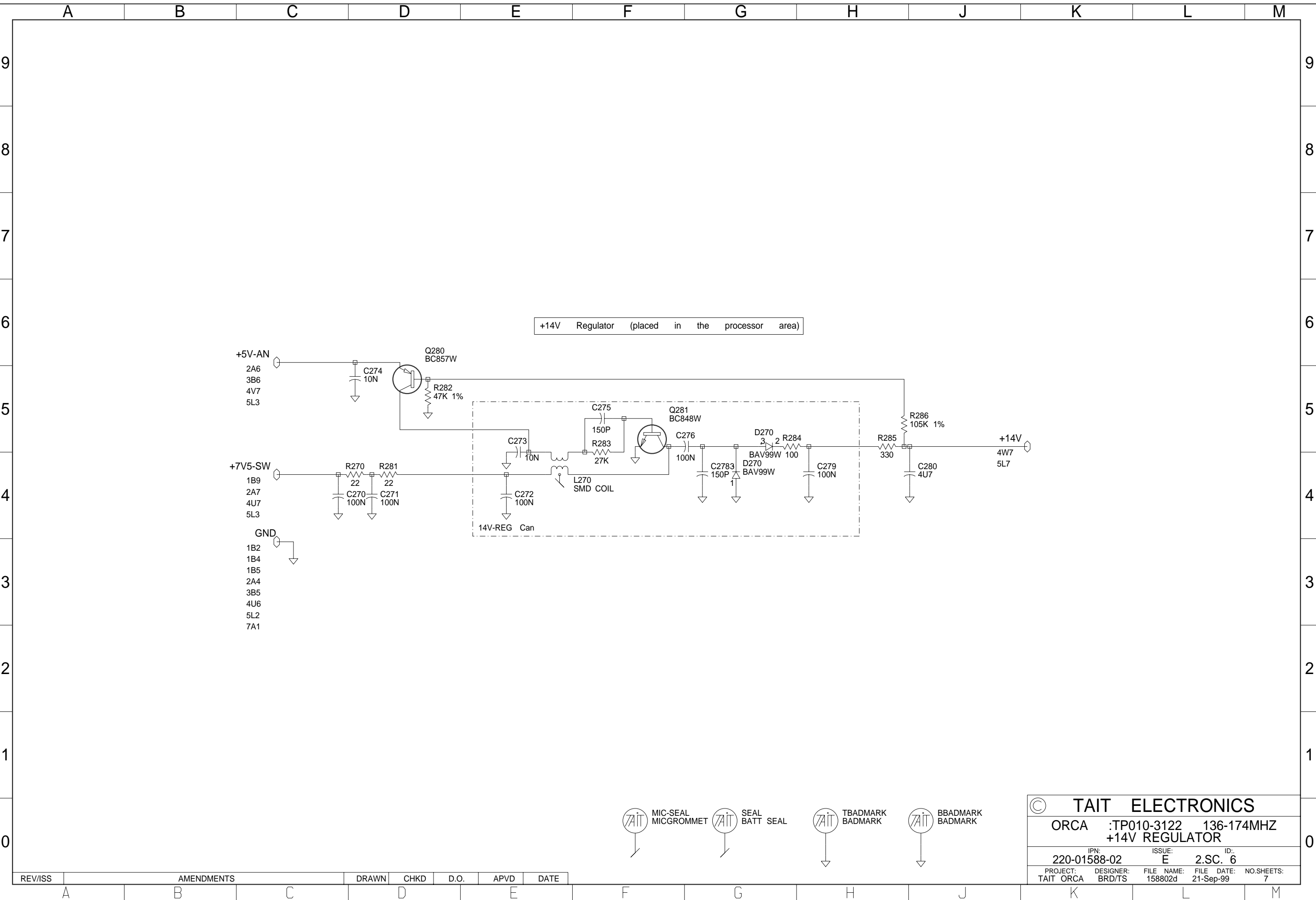
**+14V-REG**  
SHEET 6  
GND 3360

**VCO**  
SHEET 7  
P5 GND

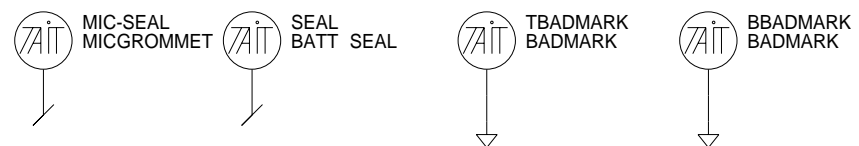
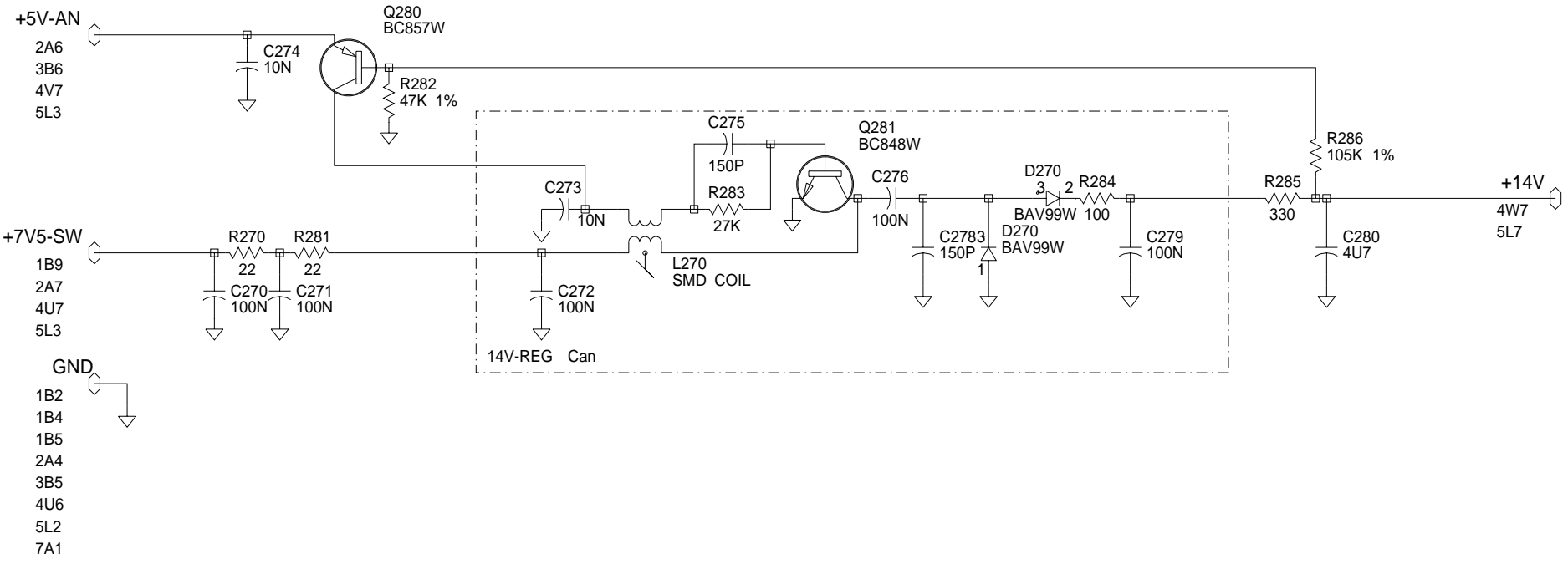
© TAIT ELECTRONICS				
ORCA	:TP010-3122	136-174MHZ	SYNTHESISER	
IPN:	220-01588-02	ISSUE:	E	ID: 2.SC. 5
PROJECT:	DESIGNER:	FILE NAME:	FILE DATE:	NO.SHEETS:
TAIT ORCA	BRD/TS	158802d	21-Sep-99	7

REV/ISS	AMENDMENTS	DRAWN	CHKD	D.O.	APVD	DATE

- +5V-AN 2A6
- +5V-AN 3B6
- 4V7 4V7
- +7V5-SW 6C6
- +7V5-SW 1B9
- 2A7 2A7
- 4U7 4U7
- 6C4 6C4
- GND 1B2
- 1B4 1B4
- 1B5 1B5
- 2A4 2A4
- 3B5 3B5
- 4U6 4U6
- 6C3 6C3
- 7A1 7A1

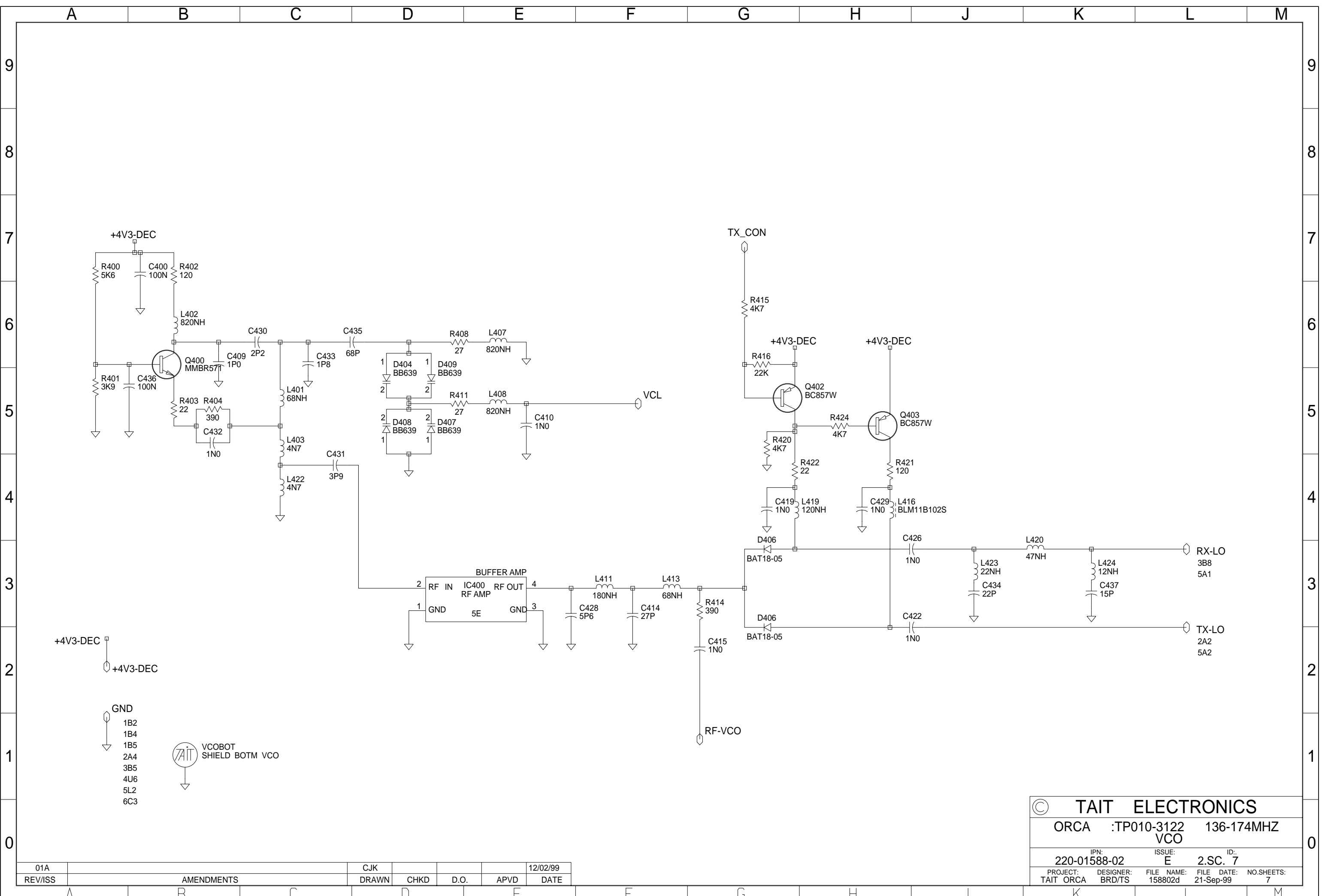


+14V Regulator (placed in the processor area)



© TAIT ELECTRONICS				
ORCA		:TP010-3122		136-174MHZ
+14V REGULATOR				
IPN:		ISSUE:		ID:
220-01588-02		E		2.SC. 6
PROJECT:	DESIGNER:	FILE NAME:	FILE DATE:	NO.SHEETS:
TAIT ORCA	BRD/TS	158802d	21-Sep-99	7

REV/ISS	AMENDMENTS	DRAWN	CHKD	D.O.	APVD	DATE
---------	------------	-------	------	------	------	------



© TAIT ELECTRONICS  
 ORCA :TP010-3122 136-174MHZ  
 VCO  
 IPN: 220-01588-02 ISSUE: E ID: 2.SC. 7  
 PROJECT: TAIT ORCA DESIGNER: BRD/TS FILE NAME: 158802d FILE DATE: 21-Sep-99 NO.SHEETS: 7

01A		CJK				12/02/99
REV/ISS	AMENDMENTS	DRAWN	CHKD	D.O.	APVD	DATE